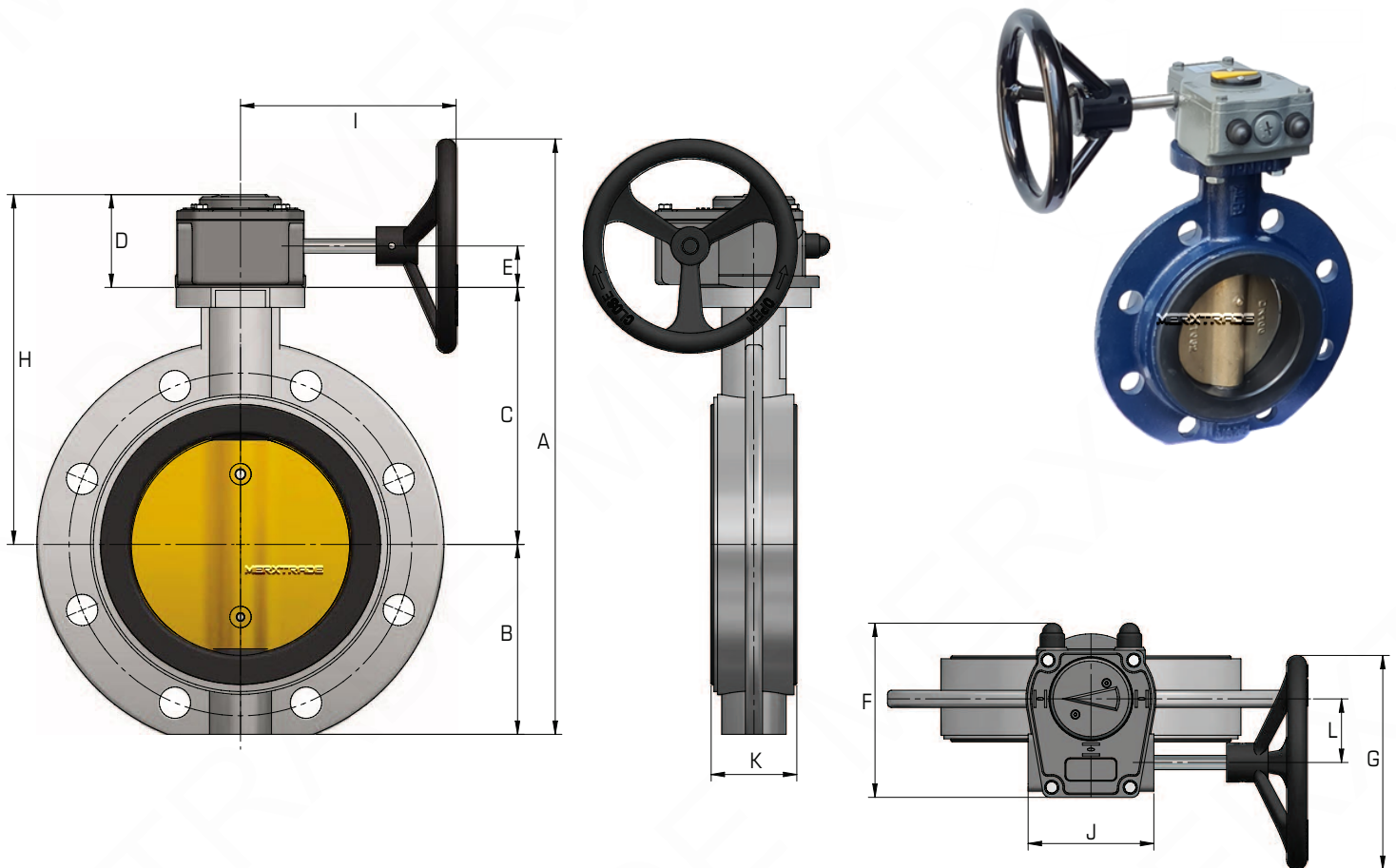


# Mono flange butterfly valve with gearbox



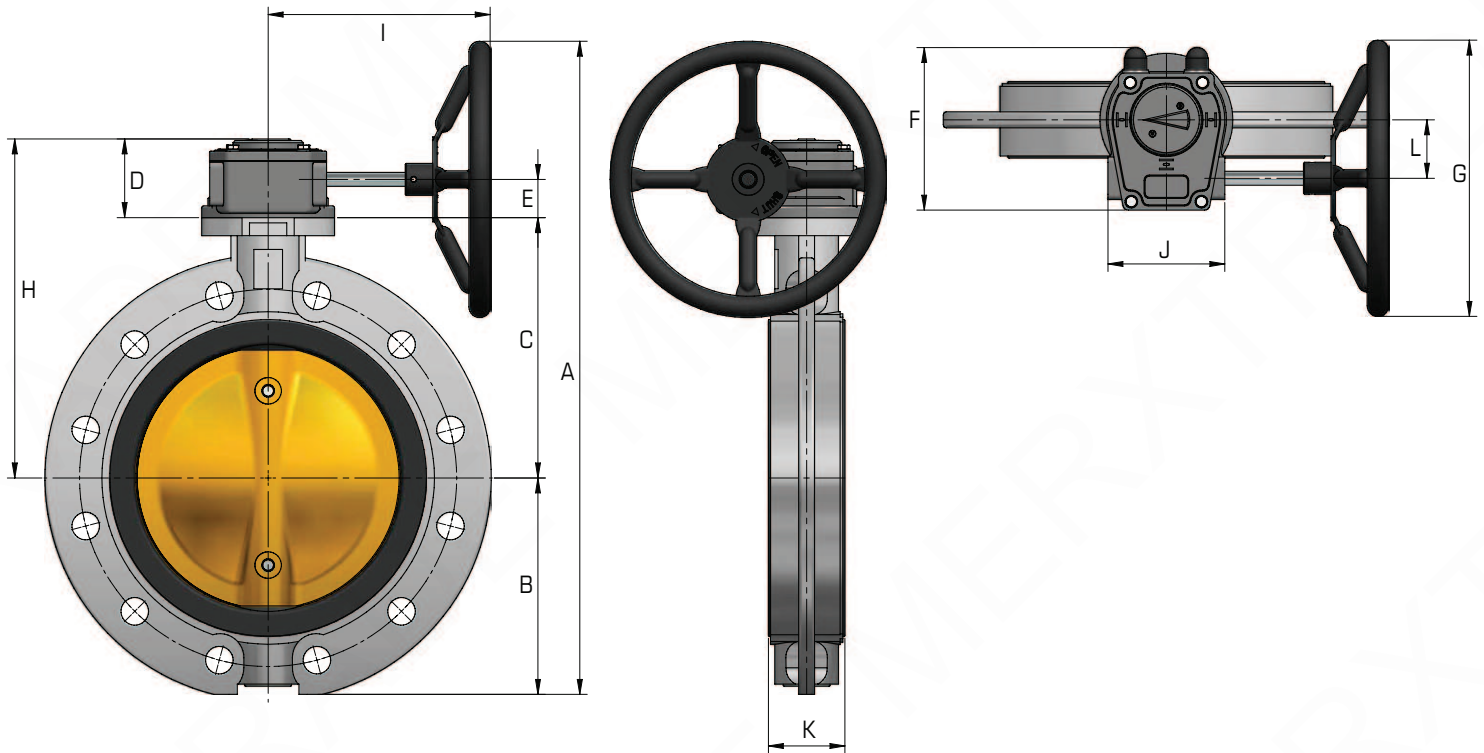
**Standard available materials:**

Body	Disc	Shaft	Seat
EN-JS1030	BS1400 AB2	SS 1.4122	NBR
A216 WCB	EN-JS1030	SS 431	EPDM
SS 1.4408	SS 1.4408	SS 1.4462	Viton
BS1400 AB2	SD 2507	SD F53	Silicone

Rotork Ductile iron Gearbox with casted AB-N series handwheel or steel welded.

IP67 sealing and stroke adjustment -5° to 95°.

DN	Gearbox	A	B	C	D	E	F	G	H	I	J	K	L	Weight ± kg
40	AB-N	256	61	113	65	32	115	100	178	141	88	33	45	5,7
50	AB-N	267	67	118	65	32	115	100	183	141	88	43	45	6
65	AB-N	282	74	126	65	32	115	100	191	141	88	46	45	7
80	AB-N	297	82	133	65	32	115	100	198	141	88	46	45	7,2
100	AB-N	329	100	147	65	32	115	100	212	141	88	52	45	9,1
125	AB-N	379	112	160	65	32	115	150	225	151	88	56	45	12,3
150	AB-N	421	134	180	65	32	115	150	245	151	88	56	45	14,3



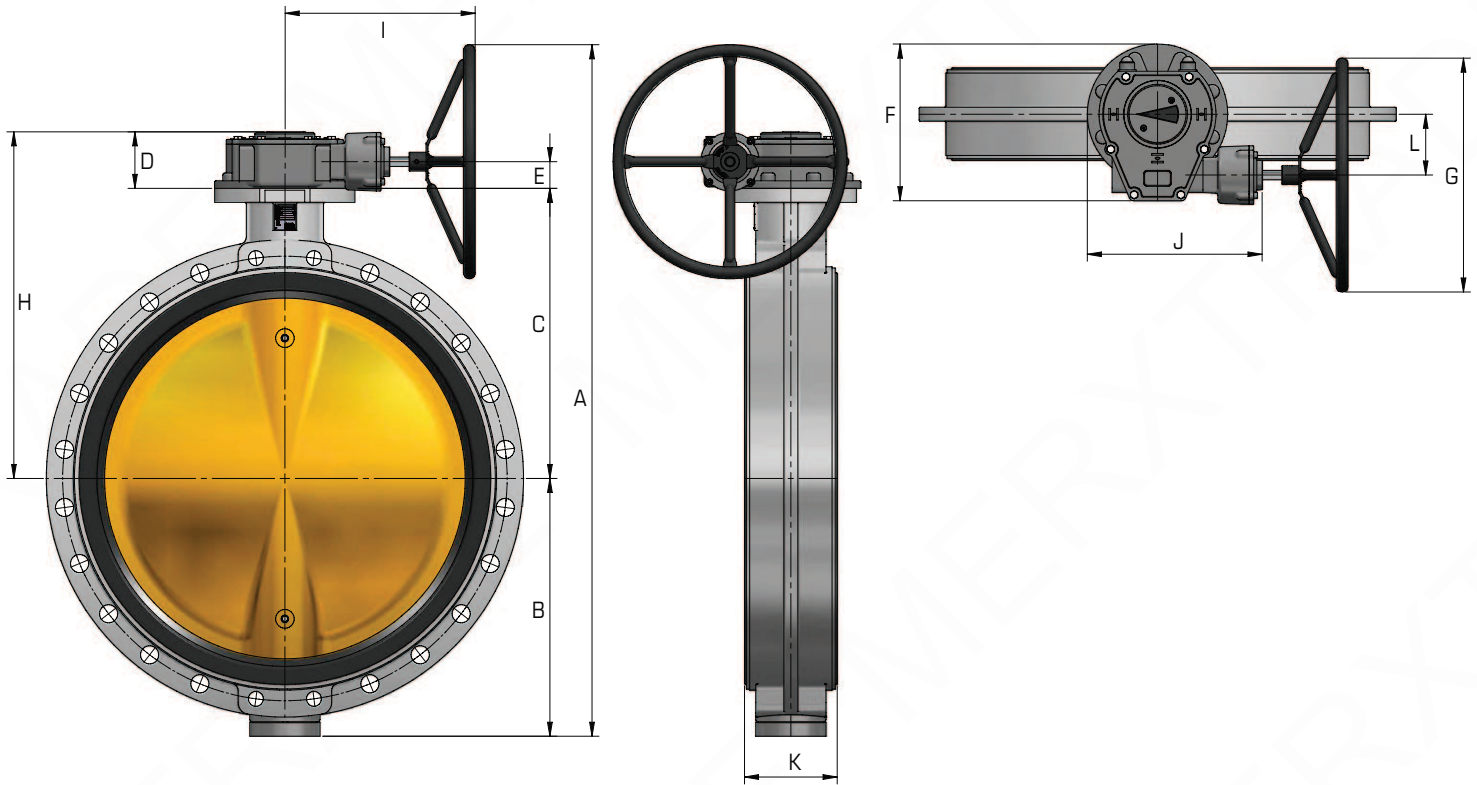
**Standard available materials:**

Body	Disc	Shaft	Seat
EN-JS1030	BS1400 AB2	SS 1.4122	NBR
A216 WCB	EN-JS1030	SS 431	EPDM
SS 1.4408	SS 1.4408	SS 1.4462	Viton
BS1400 AB2	SD 2507	SD F53	Silicone

Rotork Ductile iron Gearbox with casted AB-N series handwheel or steel welded.

IP67 sealing and stroke adjustment -5° to 95°.

DN	Gearbox	A	B	C	D	E	F	G	H	I	J	K	L	Weight ± kg
200	AB-N	470	159	204	65	32	115	150	269	151	88	60	45	19
250	AB-N	601	195	245	74	36	148	250	319	200	110	68	55	31,8
300	AB-N	651	220	270	74	36	148	250	344	200	110	78	55	39,6
350	AB-N	795	282	315	96	48	200	300	411	273	148	78	71	66
400	AB-N	855	307	350	96	48	200	300	446	273	148	102	71	91
450	AB-N	978	352	375	104	51	241	400	479	271	110	114	86	128
500	AB-N	1053	387	415	104	51	241	400	519	271	110	127	86	155
600	AB-N	1318	452	565	104	51	241	400	669	290	110	154	86	255



**Standard available materials:**

Body	Disc	Shaft	Seat
EN-JS1030	BS1400 AB2	SS 1.4122	NBR
A216 WCB	EN-JS1030	SS 431	EPDM
SS 1.4408	SS 1.4408	SS 1.4462	Viton
BS1400 AB2	SD 2507	SD F53	Silicone

Rotork Ductile iron Gearbox with casted AB-N series handwheel or steel welded.

IP67 sealing and stroke adjustment -5° to 95°.

DN	Gearbox	A	B	C	D	E	F	G	H	I	J	K	L	Weight ± kg
700	AB-N	1364	502	555	124	57	323	500	679	407	363	165	130	396
800	AB-N	1484	557	620	124	57	323	500	744	407	363	190	130	520
900	AB-N	1606	622	675	125	59	347	500	800	428	391	203	150	654
1000	AB-N	1721	672	740	125	59	347	500	865	428	391	216	150	931